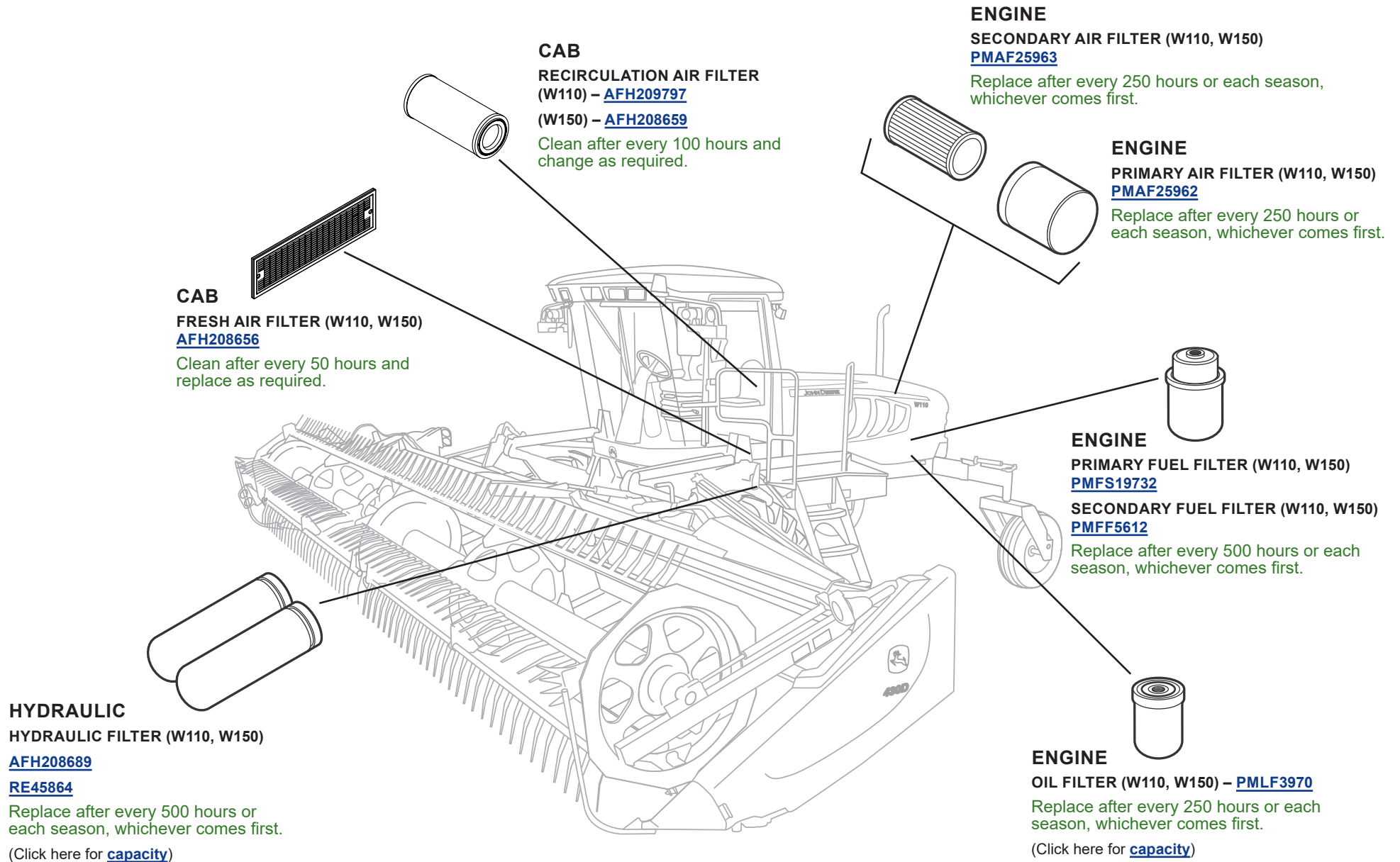


FILTER OVERVIEW WITH SERVICE INTERVALS AND CAPACITIES

W110/W150 Windrowers



CAPACITIES

W110/W150 Windrowers

CAPACITIES (Approximate):

Fuel Tank:

W110-W150 367 L (97 gal)

Cooling System:

Cool-Gard™ II

W110 25 L (6.6 gal)

W150 24 L (6.3 gal)

Engine Oil with Filter:

Plus-50™ II

W110-W150 11.9 L (3.14 gal)

Hydraulic System (Reservoir):

Windrower and Platform Lubricant 15W - 40

W110 44 L (11.62 gal)

W150 65 L (17.2 gal)

Final Drives Each:

GL-5 85W-140, Before Initial Change

GL-5 Fully Synthetic Gear Lubricant 75W-90, After Initial Change

W110-W150 1.4 L (0.36 gal)

Pump Drive Gear Case:

GL-5 Fully Synthetic Gear Lubricant 75W-90

W110-W150 2.1 L (0.55 gal)

[Return to Filter Overview](#)

